

# BL9000 BUBBLE LEVEL FLOW SENSOR

## Applications

- Wastewater
- Collection Systems
- Industrial Water



*For use with Hach's FL1500 Flow Monitor.*

## Reliable Level Measurement.

Designed specifically for the FL1500 Flow Logger, the BL9000 bubble level sensor provides accurate data and easily handles harsh conditions.

### Accurate Measurement Regardless of Conditions

Built to last through harsh conditions, the BL9000 delivers level measurements you can trust.

### Seamless Logger Integration

Designed specifically for the FL1500 Flow Logger, the BL9000 requires minimal programming. Additionally, the FL1500 user interface offers step-by-step guidance for easy programming.

### Seamless Logger Integration

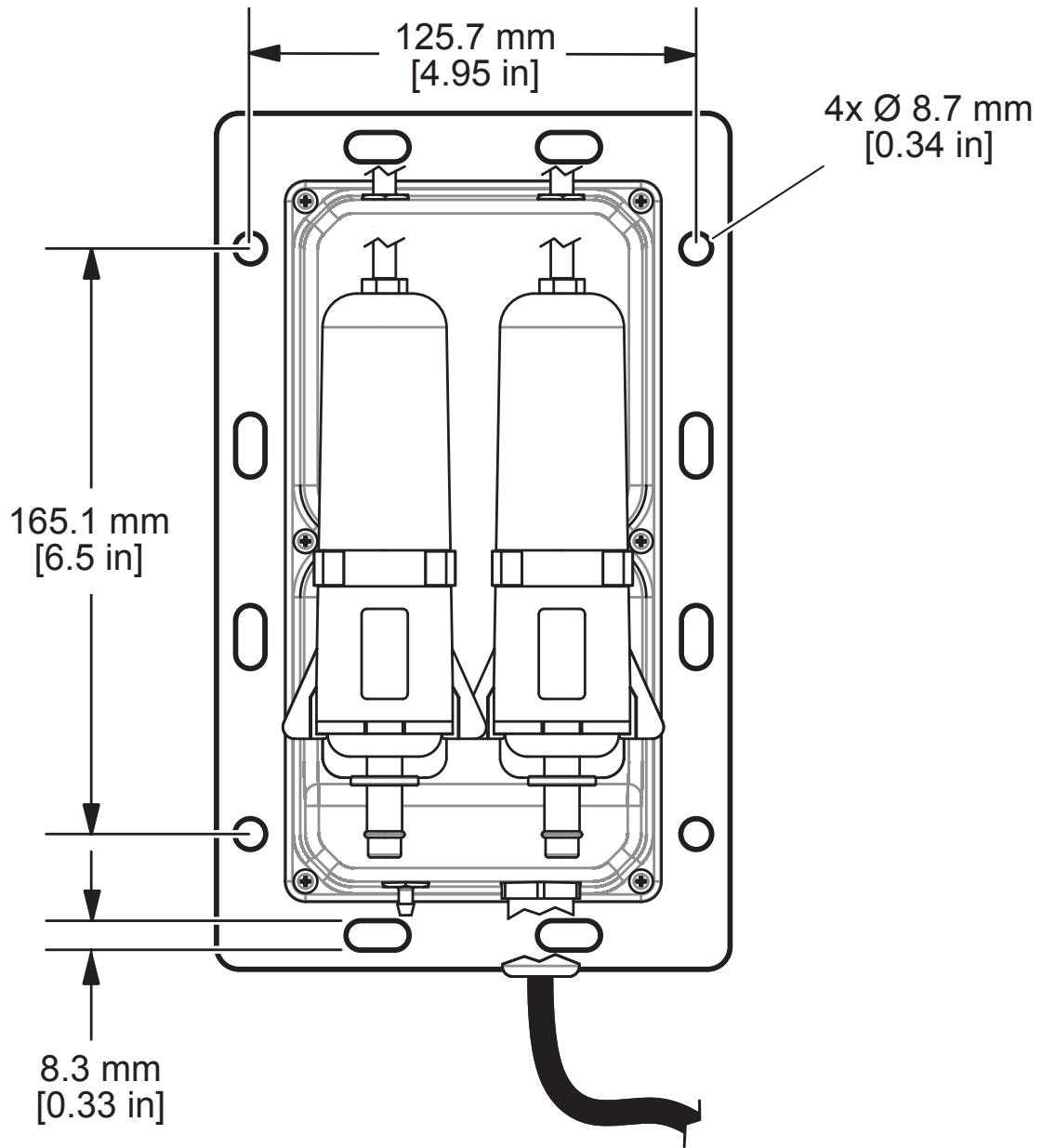
The BL9000 requires minimal maintenance and calibration. The sensor's purging function keeps the line free of debris and clogs to keep you focused on your top priorities.

## Specifications\*

<b>Operating temperature</b>	-10 to 60 °C (14 to 140 °F)
<b>Storage temperature</b>	-40 to 60 °C (-40 to 140 °F)
<b>Range</b>	0.003 to 3.5 m (0.01 to 11.5 ft)
<b>Accuracy</b>	±0.003 m (0.01 ft) at 25 °C (77 °F), factory calibration with static potable water
<b>Temperature error</b>	Within compensated temperature range: ±0.0003 × level (m) × temperature deviation from 25 °C; ±0.00017 × level (ft) × temperature deviation from 77 °F
<b>Compensated temperature range</b>	-10 to 60 °C (14 to 140 °F)
<b>Air inlets</b>	Bubbler inlet port and reference port (with inline desiccant, 10-micron filter); 0.95 cm (3/8-in.) barb fittings for remote air inlets
<b>Bubbler line requirement</b>	0.32 cm (1/8-in.) ID
<b>Bubbler line high-pressure purge</b>	Manual or automatic at programmed intervals
<b>Control instruments</b>	FL1500 flow logger only
<b>Dimensions (W x H x D)</b>	10.7 × 24.1 × 12.7 cm (4.2 × 9.5 × 5.0 in.)
<b>Enclosure</b>	IP 68; NEMA 4X and 6P
<b>Materials</b>	Enclosure: PC/ABS; bubbler line connector: stainless steel; mounting bracket: stainless steel; cable jacket: PVC
<b>Weight</b>	1.36 kg (3 lbs)
<b>Power requirements</b>	12 VDC, 0.5 A
<b>Power cable</b>	1.83 m (6 ft), 0.95 cm (0.375 in.) diameter
<b>Certifications</b>	CE
<b>Warranty</b>	1 year (EU: 2 years)

\*Subject to change without notice.

## Mounting Dimensions



## Ordering Information

### Sensor

**9694801** BL9000 Bubble Level Flow Sensor

### Replacement Parts and Accessories

<b>5027</b>	Desiccant cartridge	<b>1365</b>	Spring ring for 38.1 cm (15-inch) pipe
<b>8755500</b>	Bulk desiccant beads	<b>1366</b>	Spring ring for 45.7 cm (18-inch) pipe
<b>5057</b>	Desiccant cartridge clip	<b>1353</b>	Spring ring for 50.8 to 53.3 cm (20 to 21-inch) pipe
<b>3390</b>	Hydrophobic filter for desiccant cartridge	<b>1370</b>	Spring ring for 61 cm (24-inch) pipe
<b>5252</b>	Desiccant tube o-ring	<b>9706100</b>	Scissor band for 38.1 cm (15-inch) pipe
<b>8309300</b>	Bubble level sensor mounting bracket	<b>9706200</b>	Scissor band for 45.7 cm (18-inch) pipe
<b>8319000</b>	Pipe/rail mounting kit	<b>9706300</b>	Scissor band for 53.3 cm (21-inch) pipe
<b>2900</b>	Bubble line mounting plate	<b>9706400</b>	Scissor band for 61.0 cm (24-inch) pipe
<b>8319200</b>	Sunshield	<b>9706500</b>	Scissor band for 68.6 cm (27-inch) pipe
<b>2929</b>	Vinyl tubing, 0.317 cm (1/8 inch) ID, 7.6 m (25 ft)	<b>9706600</b>	Scissor band for 76.2 cm (30-inch) pipe
<b>2921</b>	Vinyl tubing, 0.317 cm (1/8 inch) ID, 30.5m (100 ft)	<b>9706700</b>	Scissor band for 83.8 cm (33-inch) pipe
<b>2922</b>	Vinyl tubing, 0.317 cm (1/8 inch) ID, 152 m (500 ft)	<b>9706800</b>	Scissor band for 91.4 cm (36-inch) pipe
<b>2899</b>	Bubble line mounting clip for spring rings and scissor bands	<b>9706900</b>	Scissor band for 106.7 cm (42-inch) pipe
<b>1361</b>	Spring ring for 15.2 cm (6-inch) pipe	<b>3766</b>	Scissor band for 38.1 to 106.7 cm (15 to 42-inch) pipe
<b>1362</b>	Spring ring for 20.3 cm (8-inch) pipe		
<b>1363</b>	Spring ring for 25.4 cm (10-inch) pipe		
<b>1364</b>	Spring ring for 30.5 cm (12-inch) pipe		

**All spring rings and scissor bands require the mounting clip 2899.**

**For additional information on products mentioned in this data sheet, download the following data sheets at: [hachflow.com](http://hachflow.com)**

FL1500 Series Flow Controller (DOC053.53.35137)

DOC053.53.30401 Jun17

## Hach World Headquarters: Loveland, Colorado USA

United States: 800-368-2723 tel 970-669-5150 fax [hachflowsales@hach.com](mailto:hachflowsales@hach.com)

Outside United States: 970-622-7120 tel

[hachflow.com](http://hachflow.com)

Printed in U.S.A. ©Hach 2017. All rights reserved.

*In the interest of improving and updating its equipment, Hach reserves the right to alter specifications to equipment at any time.*

**MARSH**  
McBIRNEY **SIGMA**



Be Right™